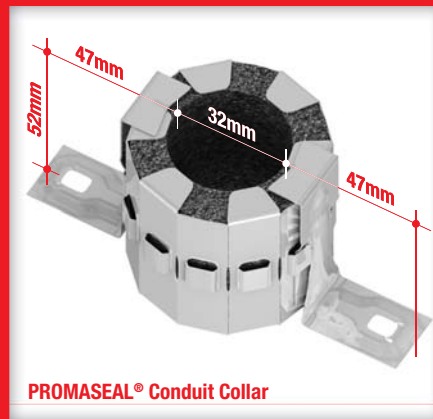


Up to -/240/240 fire resistance in accordance with the requirements of BS 476: Part 20: 1987 and AS 1530: Part 4: 2005; insulation criteria will vary depending on type and size of plastic pipes AND the type of penetrating elements



- ❶ PROMASTOP® UniCollar®
- ❷ PROMASEAL® Conduit Collar
- ❸ Brackets attached with suitable fixing, i.e. steel bolt anchors for masonry/concrete floors and walls OR laminating screws for lightweight partitions
- ❹ Various plastic piping
- ❺ All gaps caulked with PROMASEAL®-A Acrylic Sealant to achieve the required fire resistance performance
- ❻ Fire resistant concrete/masonry floors or walls
- ❼ Fire resistant steel/timber framed lightweight partitions

**Usage guide**

Inside diameter (I/D)	mm	43	50	55	63	69	75	83	90	110	114	125	140	160	200
	inches	1.25	1.5	–	2	–	2.5	–	3	–	4	–	5	6	–
Segments per collar (UL listing if featured)		15	17	18	20 (19)	21	22	24	25	29	30	33	36	40 (42)	49
Approximate number of collars per box		10	8.5	8	7.5	7	6.5	6	6	5	5	4.5	4	3.5 (3.75)	3
Number of brackets per collar for floor application		2	2	2	2	2	3	3	3	3	3	4	5	5	5
Number of brackets per collar for wall application		2	2	2	2	2	3	3	3	3	3	3	5	5	5